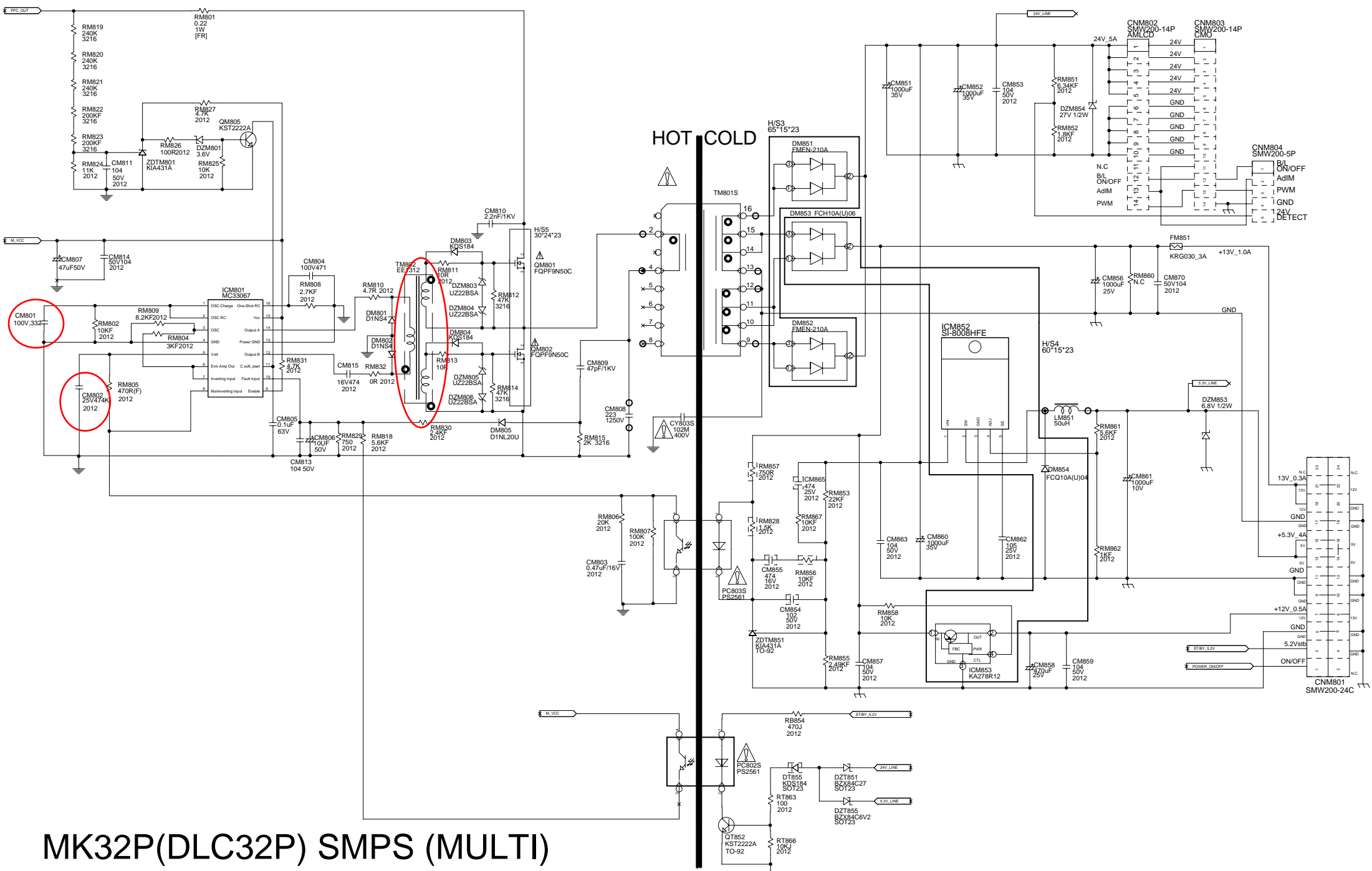


# MK32P(DLC32P) SMPS(PFC,S/B)

DONGYANG E&P INC.

Title		Rev.		Date		Time	
Size	No.	Rev.					
FILE	TITLE	TITLE	TITLE	TITLE	TITLE	TITLE	TITLE
FILE	TITLE	Date	TITLE	Time	TITLE	TITLE	TITLE



# MK32P(DLC32P) SMPS (MULTI)

DONGYANG E&P INC.

File	Rev.	Date	Drawn	Checked	Appr.
mk32p_mlt1					
Size	No.	Rev.	Title		
FILE	TITLE	DATE	TIME	TITLE	TITLE OF TITLE